

# AIRMAN

---

# SG

---

## PARTS CATALOG

### ENGINE GENERATOR

**SDG100S-8B1**

**SDG125S-8B1**

**SDG150S-8B1**

**HOKUETSU INDUSTRIES CO., LTD.**

適 用 型 式  
FOR MODEL

型 式 MODEL	適 用 号 機 SER. NO.
SDG100S-8B1	1538B10051~
SDG125S-8B1	1268B10051~
SDG150S-8B1	1728B10051~

## NOTICE

1. This parts catalog contains all the parts and assemblies of "AIRMAN" brand products. The complete unit is divided into several parts groups, the details of which are clearly illustrated, and completely listed. So desired part number, name and quantity can be easily determined referring to Ref. No.

2. When you place order for service parts, please be sure to advise us of the following information.

- (1) Part number.
- (2) Quantity required.
- (3) Part name.
- (4) Model name and Serial number.

3. How to read parts catalog.

(1) Ref. No.

Reference number (Ref. No.) is to be used for locating the part number and name from the illustrations. (However some parts such as bolts and nuts etc., are not illustrated but their reference numbers only listed.)

Ref. No. 1, 1-1, 1-2, ..... shows history of part modifications; namely ref. No. 1 changed to No. 1-1 and then 1-2.

Example: Ref. No.	Part No.
1.	21101 00101
1-1.	21101 00103

(2) Part No.

Every part has its own proper number.

Even if a part has the same shape as an other part and if its number different, it is not interchangeable at all in many cases.

(3) Interchangeability

A. B. C. D. Q. X. Y. and Z. in column "Interchangeability" show the following.

A : A new part is replaceable with an old part, but the old part is not replaceable with the new one.

B : Not interchangeable.

C : Disused.

D : Newly added.

Q : Quantity per unit changed.

X : Included in this set of parts, this part is not used for this model.

Y : Part to be selected.

Z : This part can not be supplied as an individual part.

(4) Part name

Every part has its own proper name.

(5) Q'ty

The number shown in the column of Q'TY indicates the quantity of parts used per one unit machine.

(6) Change column

M1,M2,M3,.....Mn mentioned in the column indicate the change of part number. and the serial number of the unit,the part of which was modified.

To check the serial number, refer to "LIST OF MACHINE SERIAL NUMBERS & CHANGED PART NUMBERS" mentioned in the front part of this book.

4. Abbreviations used in this catalog.

ass'y	assembly	L	Length
A	Ampere	OPT.	Option
AUTO.	Automatic	SPC/S.	Special specifications
C/H	Change column	STD.	Standards
Const.	Consisting of	sw.	switch
Cont.	Control	T or t	Thickness
Eng.	Engine	V	Volt
EXP.	Export	W	Watt
GEN.	Generator	w.	with
Incl.	Including	w/o	without

5. HOW TO READ MODELS

Example: S D G 2 5    S - 3 A 1   

SDG : SKID-MOUNTED DIESEL GENERATOR

PDG : PORTABLE DIESEL GENERATOR

SPG : SKID-MOUNTED POWER TAKE OFF GENERATOR

ATS : AUTOMATIC TRANSFER SWITCHES

25 : OUTPUT(kVA)

S : SILENT TYPE

w/o S: UNSILENCED TYPE

A S : ADVANCED SILENT TYPE

3 : BOX TYPE

4 : SUPER SLIM TYPE

5 : FREQUENCY

6 : NORTH AMERICA TYPE

7 : w.OIL FENCE

8 : NORTH AMERICA TYPE(w.OIL FENCE)

MODEL CHANGE MARK

No mark:POWER TAKE OFF GENERATOR

VARIATION MARK

No mark:w/o METAL CONSENT

M : w.METAL CONSENT

A : TRIPLE-V(TYPE A)

B : w.METAL CONSENT(TYPE B)

C : w.SAFETY SYSTEM(TYPE C)

E : w.ATS

D : w.OIL FENCE & TRIPLE-V(TYPE A)

F : w.OIL FENCE &

w.SAFETY SYSTEM(TYPE C)

G : w.OIL FENCE & w.ATS

In case of ATS: 1~4•••12V TYPE,5~8•••24V TYPE

NOTE: We are always engaged in improving our products.So there may be some changes of the product which are not yet mentioned in this parts catalog.

Therefore,in necessary case,we issue a revision in which such changes ars added.

When you have any question on the parts catalog,please ask your nearest dealer or directly us.

For engine parts,please refer to separate engine parts catalog.

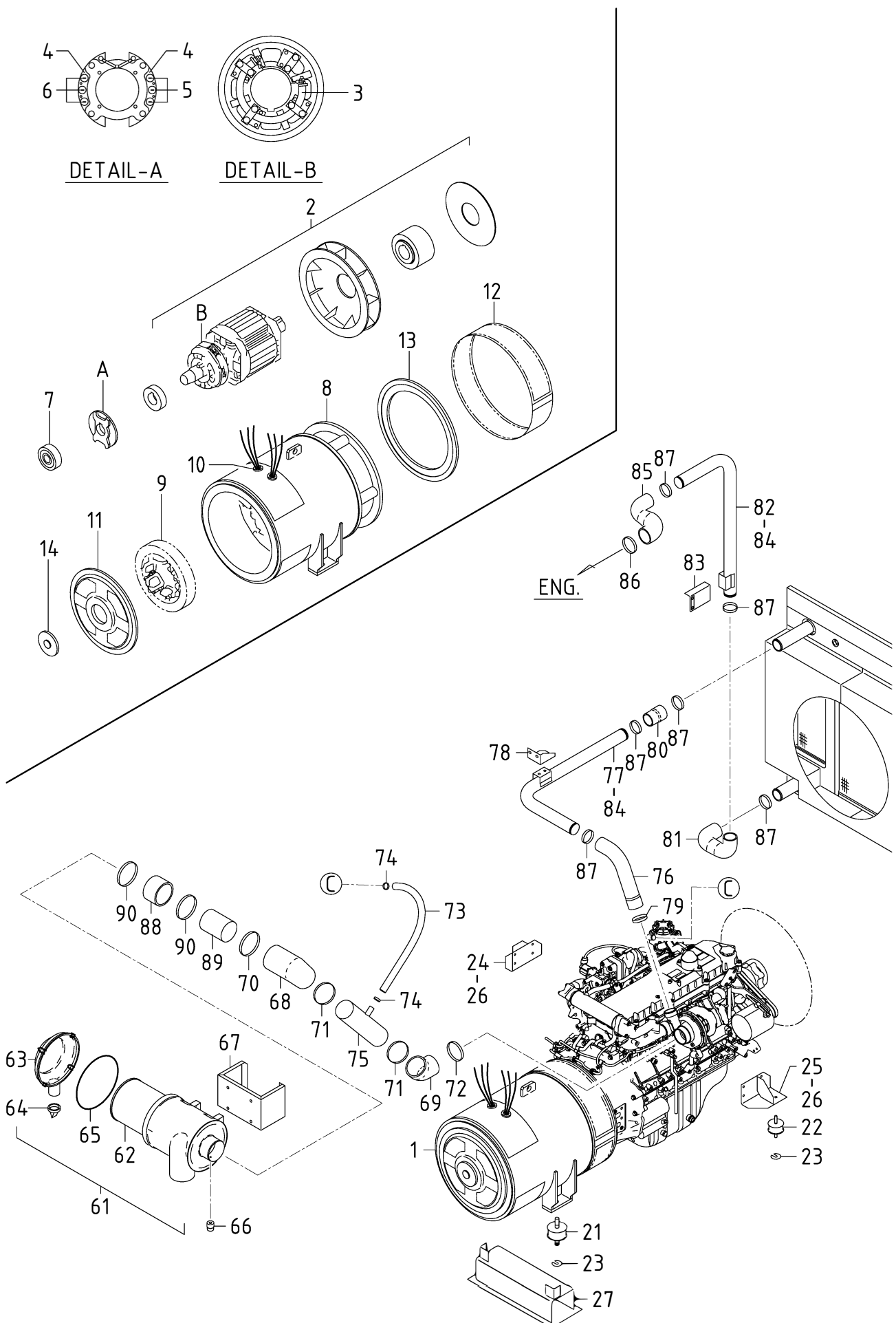
# 部品番号変更時期一覧表

## LIST OF MACHINE SERIAL NUMBERS & CHANGED PART NUMBERS

変更 C/H	型 式 と 実 施 号 機					
	MODEL NAME & SER. NO. OF THE UNIT, THE PART OF WHICH WAS CHANGED					
	SDG100S-8B1	SDG125S-8B1	SDG150S-8B1			
M 1	0051～	0051～	0054～			
M 3	0051～	0051～	0078～			
M 3-1	0051～	0051～	0096～			
M 3-2	0051～	0051～	0108～			
M 4	UNCONVERTED	UNCONVERTED	0108～			
M180	0052～	0052～	0092～			
M184	0052～	0052～	UNCONVERTED			
M187	0056～	0052～	UNCONVERTED			
M188	0056～	0052～	UNCONVERTED			
M189	UNCONVERTED	UNCONVERTED	0156～			
M190	0056～	0052～	0144～			
M193	0058～	0055～	0171～			
M200	0060～	0055～	0171～			
M204	0057～	0055～	0171～			
M216	0060～	0055～	0171～			

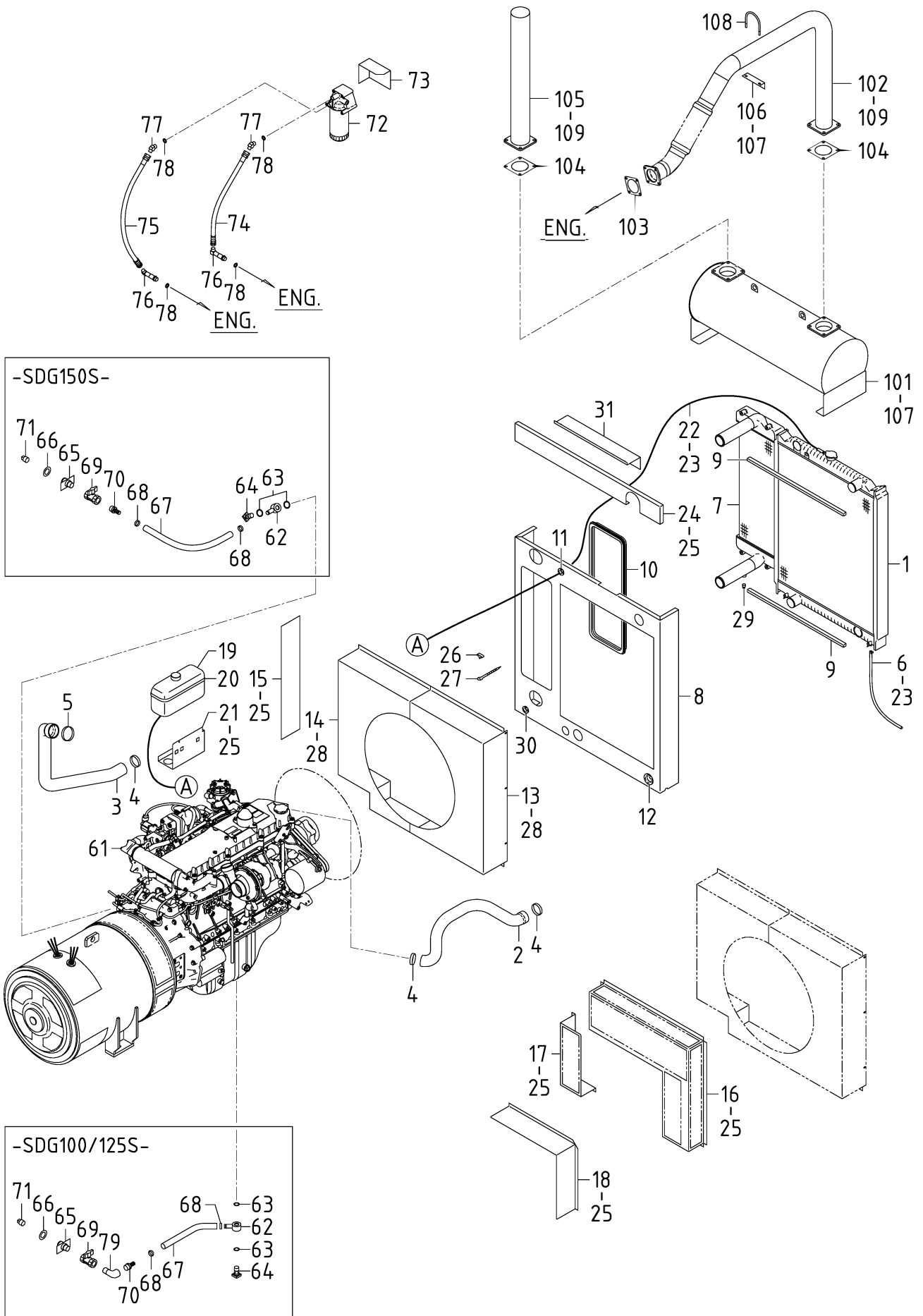
目 次  
CONTENTS

図 番 号 FIG. NO.	図 名 称 FIG. NAME	頁 PAGE
20 - 00	GENERATOR, MOUNTING & INTAKE	ゼネレータ, マウンティング, インテーク 20- 1~2
38 - 00	COOLING, ENGINE & EXHAUST	クーリング, エンジン, エキゾースト 38- 1~2
39 - 00	NAME PLATE	ネームプレート 39- 1~2
43 - 00	FUEL LINE	フュエルライン 43- 1~3
44 - 00	ELECTRIC	エレクトリック 44- 1~3
51 - 00	FRAME & BONNET	フレーム, ボンネット 51- 1~3
51 - 01	OIL FENCE	オイルフェンス 51- 4~5
52 - 00	LINING	ライニング 52- 1





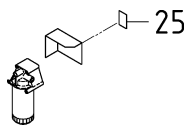
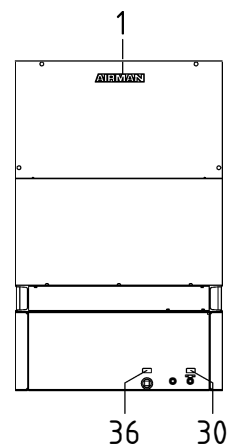
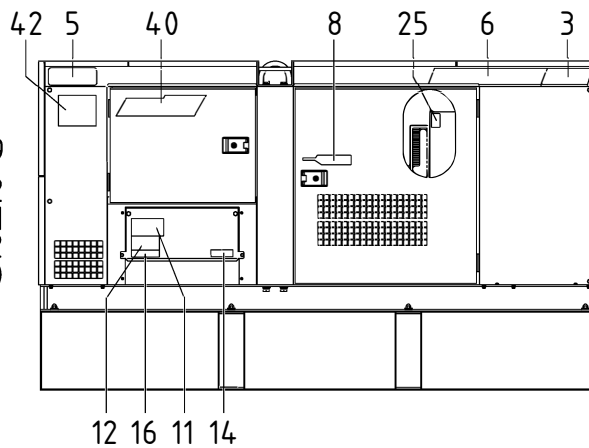
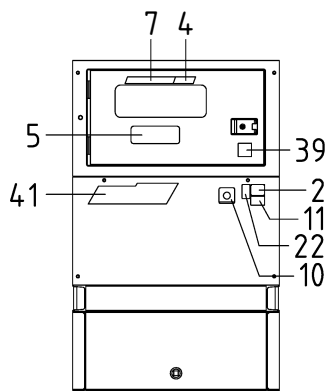
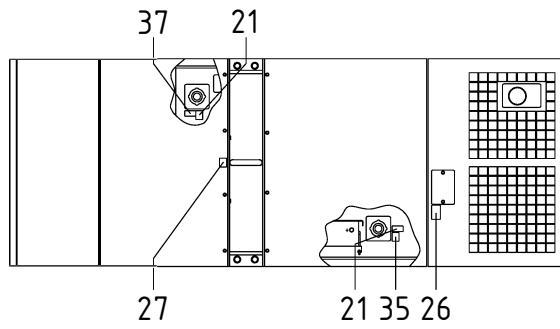
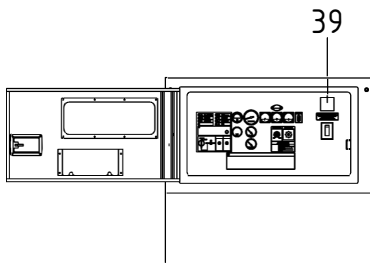




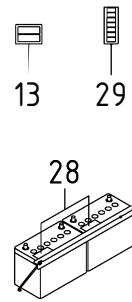
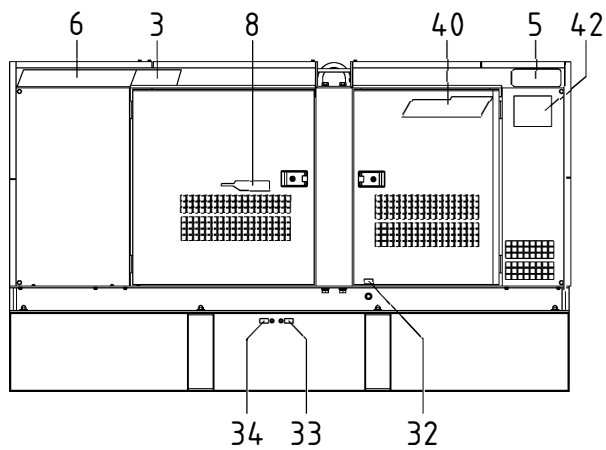
38 - 00 COOLING, ENGINE & EXHAUST

Ref. NO.	Part NO.	Inter-change ability	Part Name	Q'ty	C/H	Remarks	Ref. NO.	Part NO.	Inter-change ability	Part Name	Q'ty	C/H	Remarks				
						100 125 150							100 125 150				
38 - 00						COOLING GROUP											
1	38100 41100		Radiator	1		⊙ ⊙	72	41290 00800		Filter ass'y, Eng. oil	1		(ISUZU 897324 3861)				
1	38100 42900		Radiator	1		⊙		41291 00500		Element	1		(ISUZU 113240 2322)				
	38410 05800		Cap	1				02138 10140		Bolt	2						
	38469 01400		Valve	2		(drain)		02138 10110		Bolt	2						
	02201 08012		Flange bolt	6		⊙ ⊙		03115 02010		Spring washer	4						
	02201 08012		Flange bolt	8		⊙		03116 12010		Plain washer	4						
2	38524 67400		Hose	1		⊙ ⊙	73	41250 05100		Bracket	1	⊙ ⊙					
2	38524 66400		Hose	1		⊙	73	41250 04900		Bracket	1		⊙				
3	38524 67500		Hose	1		⊙ ⊙	73 -1	41250 05100	A	Bracket	1	M189	⊙				
3	38524 66501		Hose	1		⊙		02201 08020		Flange bolt	2						
4	03511 20070		Hose clip	3			74	37160 79800		Pipe	1	⊙ ⊙					
5	03511 20070		Hose clip	1		⊙ ⊙	74	37160 71300		Pipe	1		⊙				
5	03511 20080		Hose clip	1		⊙	75	37160 79900		Pipe	1	⊙ ⊙					
6	38594 02300		Hose	1		(drain)	75	37160 90200		Pipe	1		⊙				
7	38920 02700		Inter cooler	1			76	03734 84060		Nipple elbow (Incl. No. 78)	2	⊙ ⊙					
	02201 10020		Flange bolt	4			76	60920 18300		Nipple elbow (Incl. No. 78)	2		⊙				
8	52350 35522		Cover	1		⊙ ⊙	77	03734 84060		Nipple elbow (Incl. No. 78)	2						
8	52350 28621		Cover	1		⊙	78	03402 25024		O-ring	4						
	02201 08020		Flange bolt	4			79	03731 21006		Elbow	1	⊙ ⊙					
9	03407 67313		Seal rubber	2			42 - 00 EXHAUST GROUP										
10	03407 67533		Seal rubber	1			101	42100 78200		Exhaust muffler	1						
11	03403 00303		Grommet	1				52744 01200	D	Washer	4	M188	⊙ ⊙				
12	03403 00512		Grommet	1				52744 01200		Washer	4		⊙				
13	38440 01311		Shroud, fan	1		⊙ ⊙	102	42310 92100		Pipe, exhaust	1	⊙ ⊙					
13	38440 99000		Shroud, fan	1		⊙		02915 01008		Hexagon flange nut	4	⊙ ⊙					
14	38440 01411		Shroud, fan	1		⊙ ⊙	102	42310 89900		Pipe, exhaust	1		⊙				
14	38440 99100		Shroud, fan	1		⊙		02911 03010		Nut	8		⊙				
15	52350 35621		Cover	1		⊙ ⊙	103	42324 14300		Gasket (ISUZU 114145 1840)	1	⊙ ⊙					
15	52350 66010		Cover	1		⊙	103	42324 14100		Gasket (ISUZU 114145 1920)	1		⊙				
16	38450 78801		Guard, fan	1		⊙ ⊙	104	42323 04500		Gasket	2						
16	38450 76000		Guard, fan	1		⊙	105	42310 92200		Pipe, exhaust	1	⊙ ⊙					
17	38450 78901		Guard, fan	1		⊙ ⊙	105	42310 90000		Pipe, exhaust	1		⊙				
17	38450 76700		Guard, fan	1		⊙	106	42240 24700		Bracket	1	⊙ ⊙					
18	38450 79101		Guard, fan	1		⊙ ⊙	106	42240 28300		Bracket	1		⊙				
18	38450 78300		Guard, fan	1		⊙	107	02201 08020		Flange bolt	6						
19	38590 00300		Reserve tank ass'y	1			108	03830 08025		U-bolt	1	⊙ ⊙					
20	03511 30245		Hose clip	1			108	03830 08026		U-bolt	1		⊙				
21	38860 28901		Bracket	1		⊙ ⊙	109	02915 00008		Hexagon flange nut	2						
21	38860 28600		Bracket	1		⊙		02135 10035		Bolt	8						
22	38594 02400		Hose	1				02912 04010		Nut	8						
23	03511 40016		Hose clip	3				03115 06010		Spring washer	8						
24	52350 35720		Cover	1		⊙ ⊙		03116 15010		Plain washer	16						
24	52350 28320		Cover	1		⊙	41 - 00 ENGINE GROUP										
25	02201 06016		Flange bolt	32		⊙ ⊙	61	* * *		Engine (ISUZU 4HK1X)	1	⊙ ⊙					
25	02201 06016		Flange bolt	30		⊙	61	* * *		Engine (ISUZU 6HK1X)	1		⊙				
26	44243 05500		Holder	3						(Fan belt : ISUZU 898062 7130)		⊙ ⊙					
27	03425 00001		Vinyl clip	3						(Fan belt : ISUZU 109337 0170)		⊙					
28	02248 06016		Bolt, w/w	14						(Breather separator: ISUZU 898030 5320)							
28 -1	02201 06016	B	Flange bolt	6	M 1		62	43534 02102		Ring connector (Nipple)	1						
	02915 00006	D	Hexagon flange nut	8	M 1		63	03407 16024		Gasket	2						
29	03620 41003		Plug	1			64	43532 05500		Nipple (Bolt)	1						
30	03403 00303		Grommet	1		⊙ ⊙	65	52160 32600		Bracket	1						
31	52350 52420	D	Cover	1	M188	⊙ ⊙		02201 06016		Flange bolt	2						
							66	52728 19910		Cushion rubber	1						
							67	03580 19052		Hose	1	⊙ ⊙					
							67	03580 19050		Hose	1		⊙				
							68	03511 20035		Hose clip	2						
							69	03735 13006		Valve	1						
							70	37170 14200		Joint	1						
							71	03620 41006		Plug	1						

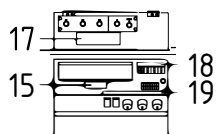
39 - 00 NAME PLATE



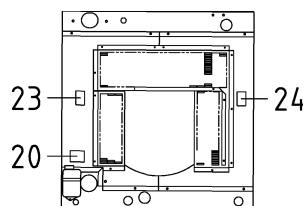
ENGINE OIL FILTER



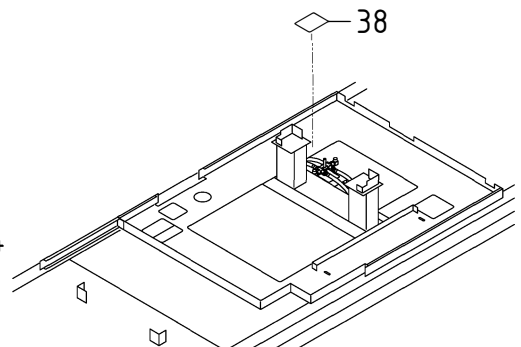
BATTERY



OUTPUT TERMINAL



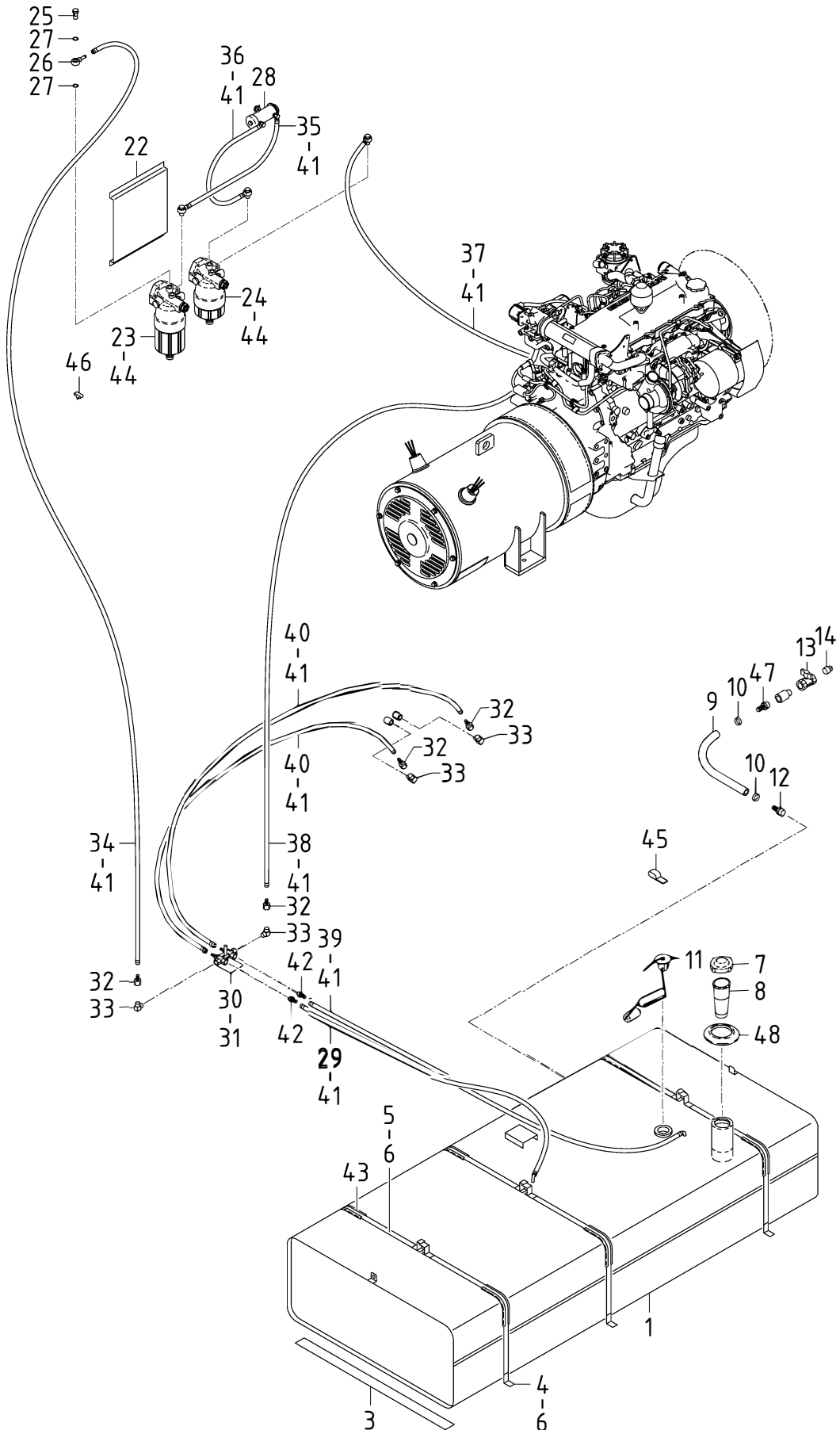
FAN SHROUD

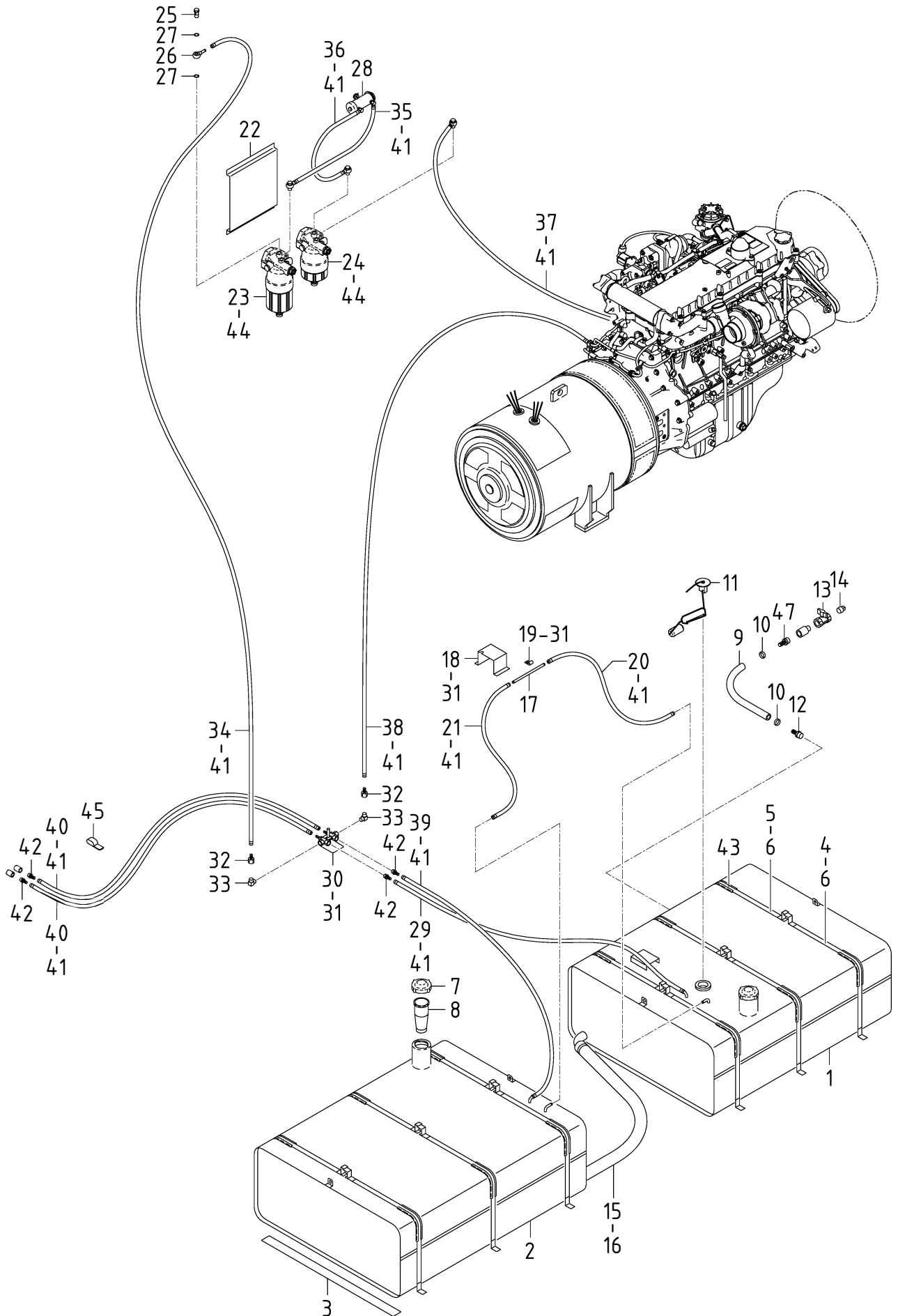


FRAME

39 - 00 NAME PLATE

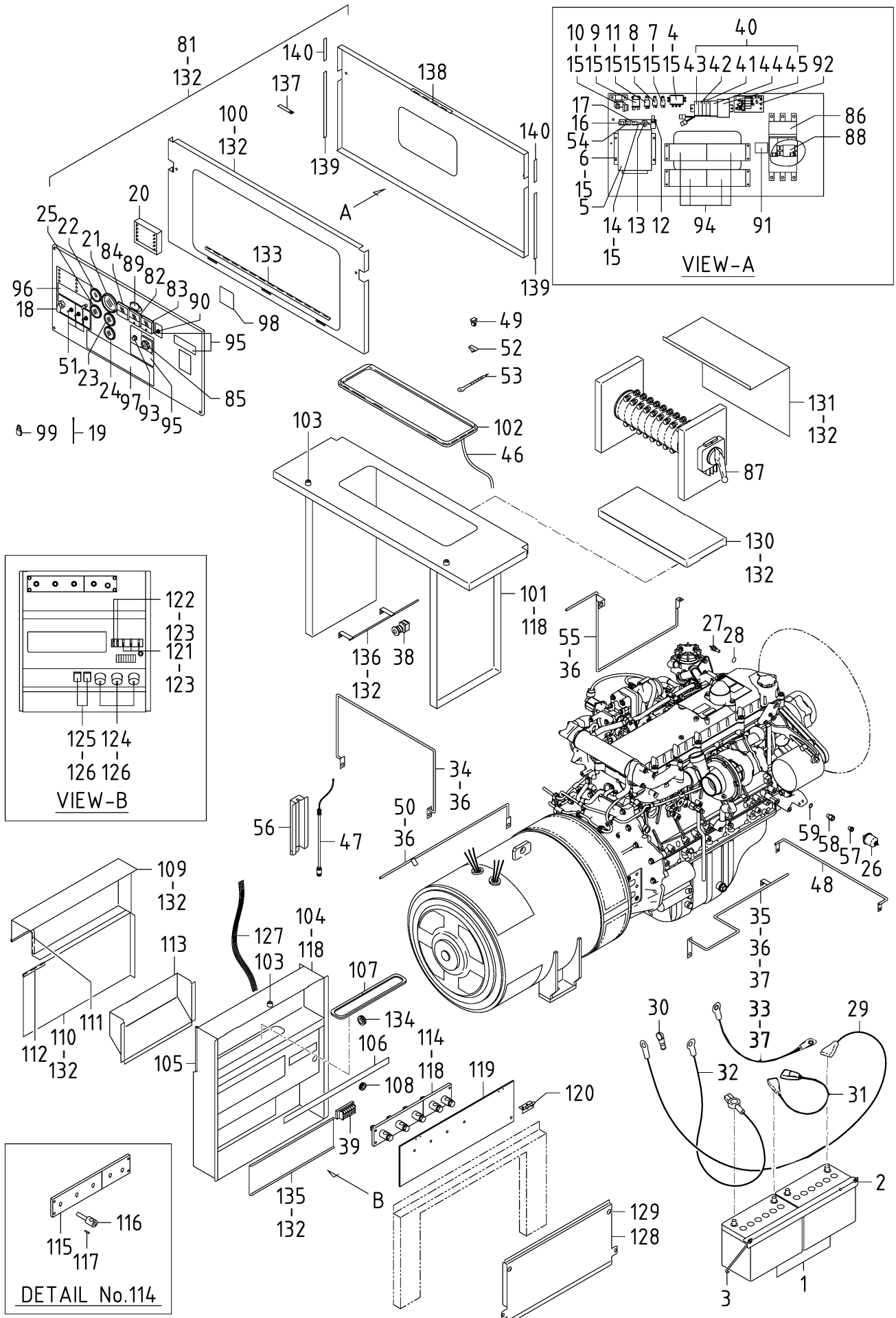
Ref. NO.	Part NO.	Inter-change ability	Part Name	Q'ty	C/H	Remarks	Ref. NO.	Part NO.	Inter-change ability	Part Name	Q'ty	C/H	Remarks
39 - 00 ACCESSORY GROUP						100 125 150							100 125 150
	39600 86822		Instruction book				39	39178 80820	C	Plate(DELTA DEMAND)	2	M190	⊙
	39615 06100		Instruction book(Eng.)			⊙ ⊙	39 -1	39178 80820	D	Plate(DELTA DEMAND)	2	M204	⊙
	39615 05700		Instruction book(Eng.)				40	39178 28420	D	Plate(SDG100)	2	M190	⊙
	39616 03800		Parts catalog(Eng.)			⊙ ⊙	40 -1	39178 28420	C	Plate(SDG100)	2	M204	⊙
	39616 03600		Parts catalog(Eng.)				40	39178 78120	D	Plate(SDG125)	2	M190	⊙
1	39170 02000	C	Mark (AIRMAN)	1	M180		40 -1	39178 78120	C	Plate(SDG125)	2	M204	⊙
1 -1	39170 02000	D	Mark (AIRMAN)	1	M190		40	39178 21120	D	Plate(SDG150)	2	M190	⊙
1 -2	39170 02000	C	Mark (AIRMAN)	1	M204		40 -1	39178 21120	C	Plate(SDG150)	2	M204	⊙
2	39103 46801		Plate(SER. NO.)	1			41	39178 28420	D	Plate(SDG100)	1	M190	⊙
	03260 03010		Blind rivet	4			41 -1	39178 28420	C	Plate(SDG100)	1	M204	⊙
3	39178 21930	C	Plate(100)	2	M190	⊙	41	39178 78120	D	Plate(SDG125)	1	M190	⊙
3 -1	39178 21930	D	Plate(100)	2	M204	⊙	41 -1	39178 78120	C	Plate(SDG125)	1	M204	⊙
3	39178 21830	C	Plate(125)	2	M190	⊙	41	39178 21220	D	Plate(SDG150)	1	M190	⊙
3 -1	39178 21830	D	Plate(125)	2	M204	⊙	41 -1	39178 21220	C	Plate(SDG150)	1	M204	⊙
3	39178 13530	C	Plate(150)	2	M190	⊙	42	39178 23420	D	Plate(EQ)	2	M190	
3 -1	39178 13530	D	Plate(150)	2	M204	⊙	42 -1	39178 23420	C	Plate(EQ)	2	M204	
4	39178 62420	C	Plate(100)	1	M190	⊙							
4 -1	39178 62420	D	Plate(100)	1	M204	⊙							
4	39178 62620	C	Plate(125)	1	M190	⊙							
4 -1	39178 62620	D	Plate(125)	1	M204	⊙							
4	39178 76520	C	Plate(150)	1	M190	⊙							
4 -1	39178 76520	D	Plate(150)	1	M204	⊙							
5	39178 53720	C	Plate(MMD EQUIPMENT)	3	M190								
5 -1	39178 53720	D	Plate(MMD EQUIPMENT)	3	M216								
6	39178 54721		Plate(Power Pro)	2									
6 -1	39178 78920	B	Plate(AIRMAN)	2	M190								
6 -2	39178 54721	B	Plate(Power Pro)	2	M204								
7	39178 54820	C	Plate(Power Pro)	1	M190								
7 -1	39178 54820	D	Plate(Power Pro)	1	M204								
8	39178 53620	C	Plate(QUITECH)	2	M190								
8 -1	39178 53620	D	Plate(QUITECH)	2	M204								
9	39178 43110		Plate(california)	1									
10	39178 47610		Plate(emargency sw.)	1									
11	39176 89700		Plate(output)	1									
11 -1	39176 88300	B	Plate(output)	1	M184								
12	39176 62400		Plate (danger,high voltage)	1									
13	39173 02000		Plate,complete	1		Const. No. 14~15							
14	39176 85800	Z	Plate(terminal in)	1									
15	39176 85900	Z	Plate(terminal in)	1									
16	39176 62900		Plate (warning,electric shock)	1									
17	39152 23401		Plate(wiring diagram)	1									
18	39178 87210		Plate(breaker)	1									
19	39178 50620		Plate(socket)	1									
20	39178 00310		Plate(LLC)	1									
21	39176 35600		Plate(No fire)	1		⊙ ⊙							
21	39176 35600		Plate(No fire)	2		⊙							
22	39176 73300		Plate (warning,exhaust gases)	1									
23	39176 73500		Plate (warning,cooling fan)	1									
24	39176 73800		Plate(warning,pulley)	1									
25	39176 69500		Plate (caution,high temp.)	2									
26	39176 69600		Plate (caution,radiator cap)	1									
27	39176 69300		Plate(lift position)	1									
28	39176 50000		Plate (warning,battery)	1		⊙ ⊙							
28	39176 50000		Plate (warning,battery)	2		⊙							
29	39173 03300		Plate,complete	1		Const. No. 30~36							
30	39189 21300	Z	Plate(fuel drain)	1									
31	39189 21400	Z	Plate(radiator drain)	1									
32	39189 21500	Z	Plate(eng.oil drain)	1									
33	39178 90520	Z	Plate(fuel inlet)	1									
34	39178 90620	Z	Plate(fuel return)	1									
35	39178 90720	Z	Plate(deasel fuel)	1									
36	39189 21100	Z	Plate (containment drain)	1									
37	39178 72500		Plate(deasel fuel)	1		⊙							
38	39178 49120		Plate (changed fuel refill)	1									





43 - 00 FUEL LINE

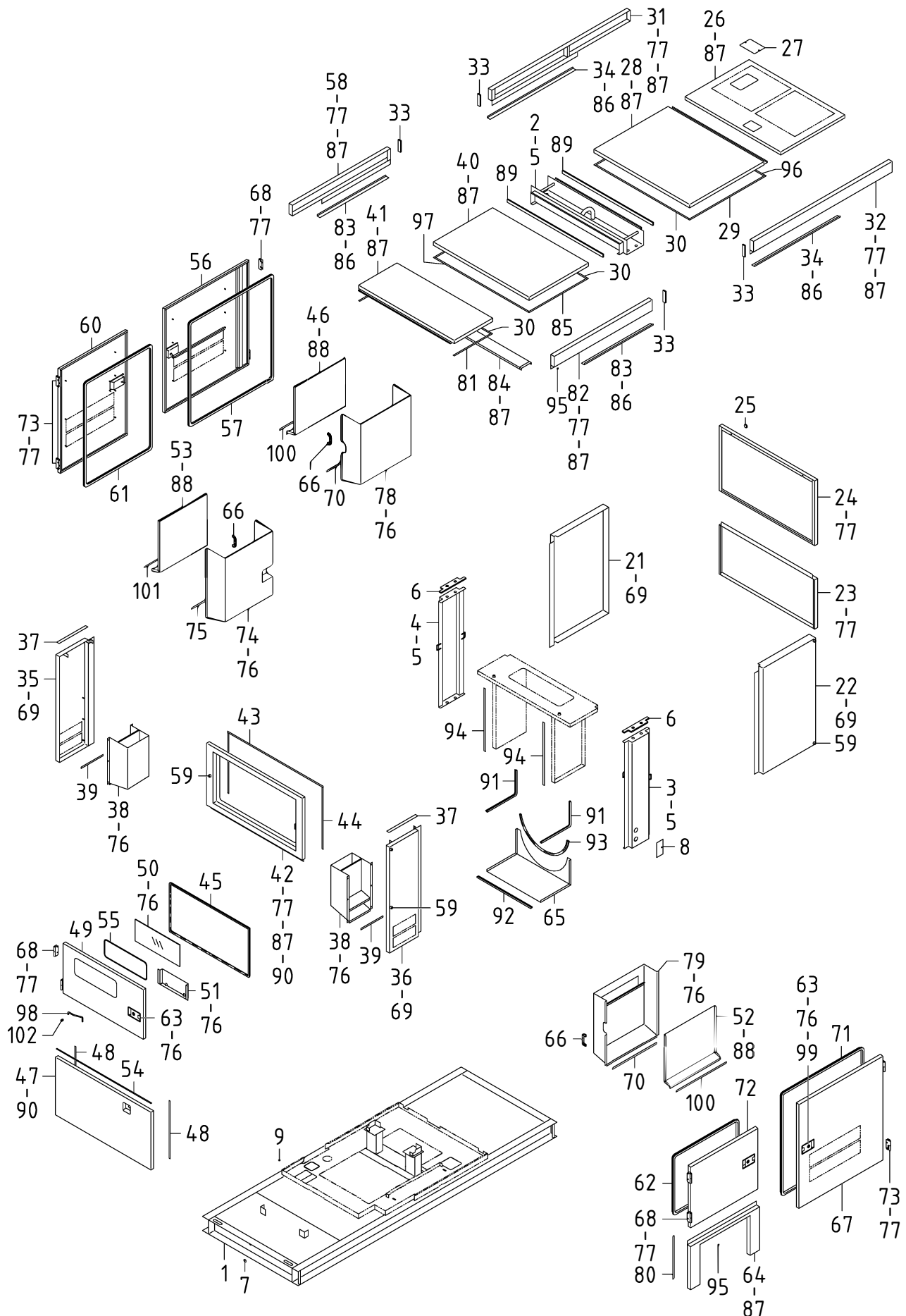
Ref. NO.	Part NO.	Inter-change ability	Part Name	Q'ty	C/H	Remarks	Ref. NO.	Part NO.	Inter-change ability	Part Name	Q'ty	C/H	Remarks
43 - 00 FUEL GROUP						100 125 150							100 125 150
1	43100 68801		Fuel tank	1		⊙ ⊙	36	03570 09040		Hose	1		⊙ ⊙
1	43100 66301		Fuel tank	1		⊙	36	03570 09040		Hose	1		⊙
2	43100 66501		Fuel tank	1		⊙	36 -1	03570 09030	B	Hose	1	M 1	⊙
3	38465 16000		Cushion rubber	3		⊙ ⊙	37	03570 09037		Hose	1		
3	38465 16000		Cushion rubber	6		⊙	37 -1	03570 09030	B	Hose	1	M 1	
4	43310 27000		Belt	3		⊙ ⊙	38	03570 09120		Hose	1		⊙ ⊙
4 -1	43310 29000	B	Belt	3	M184	⊙ ⊙	38	03570 09170		Hose	1		⊙
4	43310 27000		Belt	6		⊙	39	03570 09070		Hose	1		⊙ ⊙
5	43310 27100		Belt	3		⊙ ⊙	39	03570 09120		Hose	1		⊙
	02138 10055		Bolt	3		⊙ ⊙	39 -1	03570 09055	B	Hose	1	M 1	⊙
5 -1	43310 29100	B	Belt	3	M184	⊙ ⊙	40	03570 09120		Hose	2		⊙ ⊙
	02138 10060	B	Bolt	3	M184	⊙ ⊙	40	03570 09060		Hose	2		⊙
	03116 12010		Plain washer	3		⊙ ⊙	41	03511 10018		Hose clip	18		⊙ ⊙
	02915 20010		Nut, w/w	3		⊙ ⊙	41	03511 10018		Hose clip	22		⊙
5	43310 27100		Belt	6		⊙	42	37170 12700		Joint	2		⊙ ⊙
	02138 10055		Bolt	6		⊙	42	37170 12700		Joint	4		⊙
	03116 12010		Plain washer	6		⊙	43	43322 06700		Cushion	6		⊙ ⊙
	02915 20010		Nut, w/w	6		⊙	43	43322 06700		Cushion	12		⊙
6	02915 00010		Hexagon flange nut	6		⊙ ⊙	44	02201 10030		Flange bolt	4		
6	02915 00010		Hexagon flange nut	12		⊙	44 -1	02283 10040	A	Bolt	4	M 1	
7	43220 01300		Cap, fuel tank	1		⊙ ⊙		02283 10070	D	Bolt	2	M 1	
7	43220 01300		Cap, fuel tank	2		⊙		03115 40010	D	Spring washer	6	M 1	
8	43210 01301		Strainer	1		⊙ ⊙	45	03424 80036		Clip	1		
8	43210 01301		Strainer	2		⊙ ⊙	46	44243 05500		Holder	2		⊙ ⊙
9	03570 19052		Hose	1		⊙ ⊙	47	37170 14200		Joint	1		
9 -1	03570 19044	B	Hose	1	M193	⊙ ⊙	47 -1	37170 21700	B	Joint	1	M193	
9	03570 19050		Hose	1		⊙	48	43440 04600		Cover	1		⊙ ⊙
9 -1	03570 19042	B	Hose	1	M193	⊙							
10	03511 20035		Hose clip	2									
11	36159 00600		Sending unit	1									
	02345 65012		Screw	5									
12	37170 14200		Joint	1									
13	03735 13006		Valve	1									
14	03620 41006		Plug	1									
15	03570 38095		Hose	1		⊙							
16	03511 20060		Hose clip	2		⊙							
17	43525 02600		Pipe	1		⊙							
18	43570 07900		Bracket	1		⊙							
19	37181 07000		Clip	2		⊙							
20	03570 09045		Hose	1		⊙							
20 -1	03570 09029	B	Hose	1	M 1	⊙							
21	03570 09022		Hose	1		⊙							
21 -1	03570 09018	B	Hose	1	M 1	⊙							
22	43340 31600		Bracket	1		⊙ ⊙							
22	43340 30401		Bracket	1		⊙							
	02201 08020		Flange bolt	4									
23	43540 07600		Filter ass'y	1		(ISUZU 898075 8551)							
	43543 00900		Filter, cartridge	1		(ISUZU 898075 8540)							
24	43540 07700		Filter ass'y	1		(ISUZU 898143 8260)							
	43543 01000		Filter, cartridge	1		(ISUZU 898143 0410)							
25	43532 09000		Nipple	4									
26	43534 04800		Ring connector	4									
27	43531 01900		Gasket	8									
28	43650 02600		Fuel pump	1		⊙ ⊙							
			(ISUZU 898068 2750) (Filter: ISUZU 898071 4010)										
28	43650 02500		Fuel pump	1		⊙							
			(ISUZU 898009 3971) (Filter: ISUZU 898071 4010)										
	02138 06030		Bolt	2									
	03115 02006		Spring washer	2									
	03116 12006		Plain washer	2									
29	03570 09028		Hose	1		⊙ ⊙							
29	03570 09033		Hose	1		⊙							
29 -1	03570 09029	B	Hose	1	M 1	⊙							
30	35483 10101		Stop valve	1									
31	02201 06016		Flange bolt	2		⊙ ⊙							
31	02201 06016		Flange bolt	6		⊙							
32	37170 20200		Joint	4		⊙ ⊙							
32	37170 20200		Joint	2		⊙							
33	03734 44003		Nipple elbow	4		⊙ ⊙							
33	03734 44003		Nipple elbow	2		⊙							
34	03570 09080		Hose	1		⊙ ⊙							
34	03570 09120		Hose	1		⊙							
34 -1	03570 09110	B	Hose	1	M 1	⊙							
35	03570 09025		Hose	1									









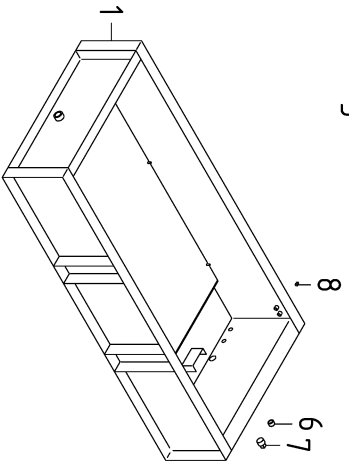
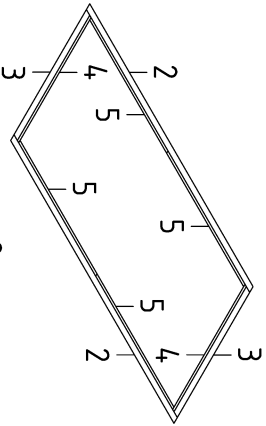
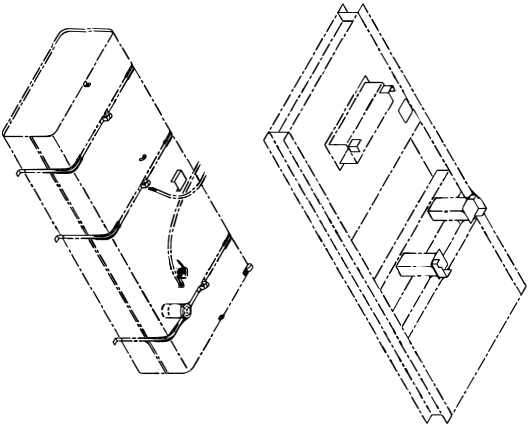
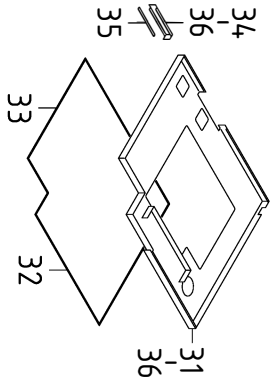




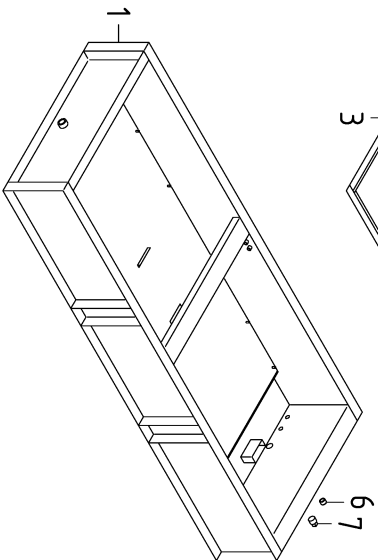
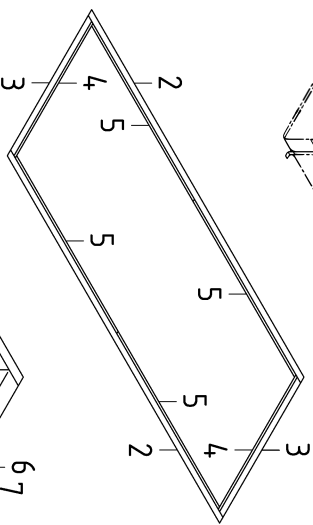
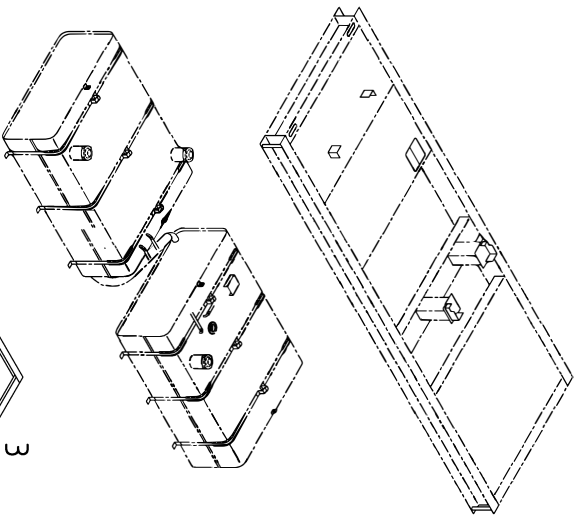
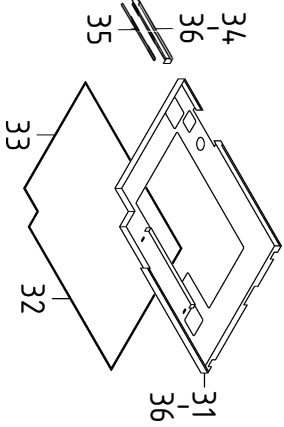
51 - 00 FRAME & BONNET

Ref. NO.	Part NO.	Inter-change ability	Part Name	Q' ty	C/H	Remarks	Ref. NO.	Part NO.	Inter-change ability	Part Name	Q' ty	C/H	Remarks
						100 125 150							
80	03407 68045		Seal rubber	2		⊙ ⊙							
80	03407 68050		Seal rubber	2		⊙							
81	03407 66842		Seal rubber	2		⊙							
82	52550 16212		Side plate	1		⊙ ⊙							
82	52550 15211		Side plate	1		⊙							
83	52160 37601		Bracket	2		⊙ ⊙							
83	52160 36901		Bracket	2		⊙							
84	52540 56800		Support	1		⊙							
84 -1	52540 58700	B	Support	1	M 3-1	⊙							
85	03407 66862		Seal rubber	2		⊙ ⊙							
85	03407 66828		Seal rubber	2		⊙							
86	52640 05600		Bolt	18		⊙ ⊙							
86	52640 05600		Bolt	20		⊙							
87	02201 06016		Flange bolt	42		⊙ ⊙							
87	02201 06016		Flange bolt	52		⊙							
88	52640 05100		Bolt	24									
89	52728 06910		Cushion rubber	2									
90	02246 08050		Bolt,w/w	6									
91	03407 64722		Seal rubber	2		⊙							
92	03407 67212		Seal rubber	1		⊙							
93	03407 67224		Seal rubber	1		⊙							
94	03407 67321		Seal rubber	2		⊙							
95	03403 10010		Grommet	9		⊙ ⊙							
95	03403 10010	D	Grommet	9	M 1	⊙							
96	03407 67024		Seal rubber	1		⊙ ⊙							
96	03407 66854		Seal rubber	1		⊙							
97	03407 66854		Seal rubber	1		⊙							
98	52870 12600	D	Stay	1	M 3-1								
	52726 00500	D	Distance piece	1	M 3-1								
	03413 30070	D	E-ring	1	M 3-1								
99	52728 14810		Cushion rubber	4		⊙ ⊙							
100	03407 66816		Seal rubber	2		⊙							
101	03407 66802		Seal rubber	1		⊙							
102	37181 03300		Clip	1		⊙ ⊙							

-SDG100/125S-



-SDG150S-

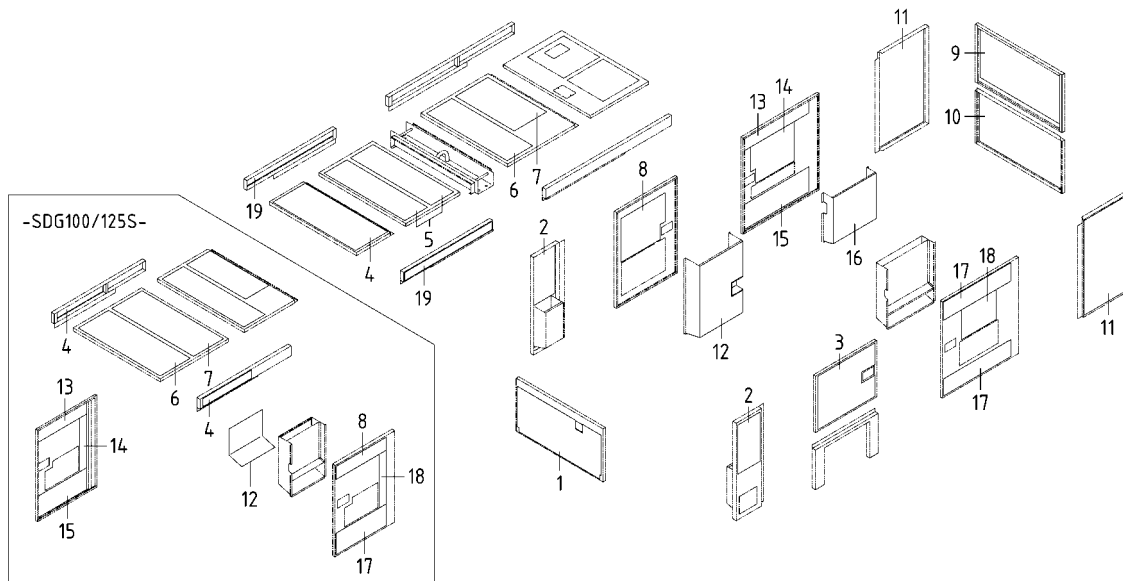


51 - 01 OIL FENCE

Ref. NO.	Part NO.	Inter-change ability	Part Name	Q' ty	C/H	Remarks	Ref. NO.	Part NO.	Inter-change ability	Part Name	Q' ty	C/H	Remarks
						100 125 150							
51 - 01			FRAME GROUP										
1	51100 08042		Frame	1		⊙ ⊙							
1 -1	51100 20540	B	Frame	1	M193	⊙ ⊙							
1	51100 02941		Frame	1									⊙
1 -1	51100 20640	B	Frame	1	M193								⊙
	02473 16040	C	Stud bolt	8	M 3								
	02162 16060	D	Bolt	8	M 3								
	52744 01700		Washer	8									
	02914 20016		Cap nut	8									
	03115 02016		Spring washer	16		⊙ ⊙							
	03115 02016		Spring washer	8									⊙
	03116 12016		Plain washer	8									
2	52728 22510		Cushion rubber	2		⊙ ⊙							
2	52728 19810		Cushion rubber	2									⊙
3	38465 16500		Cushion rubber	2									
4	52728 20110		Cushion rubber	2									
5	52728 22610		Cushion rubber	4		⊙ ⊙							
5	52728 21210		Cushion rubber	4									⊙
6	03731 60006		Cap	1									
7	03620 41012		Plug	2									
8	03620 41003		Plug	2		⊙ ⊙							
52 - 01			BONNET GROUP										
31	52160 37702		Bracket	1		⊙ ⊙							
31 -1	52160 47700	B	Bracket	1	M200	⊙ ⊙							
31	52160 34102		Bracket	1									⊙
31 -1	52160 47800	B	Bracket	1	M200								⊙
32	03407 68144		Seal rubber	2									⊙
33	03407 68104		Seal rubber	2									⊙
34	52160 37801		Bracket	1		⊙ ⊙							
34	52160 34200		Bracket	1									⊙
35	03407 66865		Seal rubber	1		⊙ ⊙							
35	03407 66842		Seal rubber	1									⊙
36	02201 06016		Flange bolt	15		⊙ ⊙							
36	02201 06016		Flange bolt	16									⊙

52 - 00 LINING

Ref. NO.	Part NO.	Inter-changeability	Part Name	Q'ty	C/H	Remarks	Ref. NO.	Part NO.	Inter-changeability	Part Name	Q'ty	C/H	Remarks
<b>[SDG100/125S]</b>							<b>[SDG150S]</b>						
	52900 84910		URETHANE FOAM KIT					52900 77511		URETHANE FOAM KIT			
								<b>52900 86610</b>	<b>B</b>	<b>URETHANE FOAM KIT</b>			<b>M 4</b>
1	52931 73820		Lining	1			1	52989 30500		Lining	1		
2	52959 00250		Lining	2			2	52959 39250		Lining	2		
3	52989 32700		Lining	1			3	52989 30700		Lining	1		
4	52959 42150		Lining	2			4	52959 39350		Lining	1		
5	52959 42250		Lining	2			5	52959 39450		Lining	2		
6	52959 42350		Lining	1			6	52959 39550		Lining	1		
7	52959 42450		Lining	1			7	52959 39650		Lining	1		
8	52988 32700		Lining	1			8	<b>52989 32100</b>	<b>C</b>	<b>Lining</b>	<b>1</b>		<b>M 4</b>
9	52919 90900		Lining	1			9	52919 01330		Lining	1		
10	52926 24300		Lining	1			<b>9-1</b>	<b>52919 00930</b>	<b>A</b>	<b>Lining</b>	<b>1</b>		<b>M 4</b>
11	52919 27710		Lining	2			10	52919 01430		Lining	1		
12	52988 47000		Lining	1			<b>10-1</b>	<b>52919 01030</b>	<b>A</b>	<b>Lining</b>	<b>1</b>		<b>M 4</b>
13	52988 32700		Lining	1			11	52919 01530		Lining	2		
14	52988 46700		Lining	1			<b>11-1</b>	<b>52919 01130</b>	<b>A</b>	<b>Lining</b>	<b>2</b>		<b>M 4</b>
15	52988 46800		Lining	1			12	52989 30600		Lining	1		
16	52988 46900		Lining	1			13	52988 45000		Lining	1		
17	52988 46800		Lining	1			14	<b>52989 32200</b>	<b>C</b>	<b>Lining</b>	<b>1</b>		<b>M 4</b>
18	52988 46700		Lining	1			15	52988 45100		Lining	1		
19	52959 66920		Lining	2			16	52988 45200		Lining	1		
							17	52988 45300		Lining	2		
							<b>18</b>	<b>52989 32600</b>	<b>C</b>	<b>Lining</b>	<b>1</b>		<b>M 4</b>
							19	52959 41250		Lining	2		





# I N D E X

PART NO.	PAGE	REF. NO.	PART NO.	PAGE	REF. NO.	PART NO.	PAGE	REF. NO.
02135 10020	20 - 2	1	02201 08020	43 - 3	22	02912 08008	44 - 3	128-1
02135 10025	20 - 2	26	02201 08020	44 - 2	33	02912 08016	20 - 2	21
02135 10035	38 - 2	109	02201 08020	44 - 2	36	02912 09004	44 - 3	126
02135 20055	51 - 2	5	02201 08020	44 - 2	48	02914 20016	51 - 5	1-1
02138 06016	20 - 2	4	02201 08020	44 - 3	118	02915 00005	51 - 2	8
02138 06020	20 - 2	4	02201 08020	51 - 2	77	02915 00006	38 - 2	28-1
02138 06020	20 - 2	14	02201 08020	51 - 2	77	02915 00006	44 - 3	120
02138 06025	20 - 2	4	02201 08030	20 - 2	67	02915 00006	44 - 3	136
02138 06030	43 - 3	28	02201 08030	20 - 2	78	02915 00006	51 - 2	76
02138 06035	51 - 2	65	02201 08030	44 - 3	128-1	02915 00008	20 - 2	67-1
02138 06050	20 - 2	9	02201 08030	51 - 2	23	02915 00008	20 - 2	78
02138 06060	20 - 2	9	02201 08030	51 - 2	69	02915 00008	38 - 2	108
02138 08050	20 - 2	9	02201 08030	51 - 2	69	02915 00008	44 - 2	3
02138 10030	20 - 2	13	02201 10020	20 - 2	27	02915 00008	44 - 2	36
02138 10055	43 - 3	5	02201 10020	20 - 2	61	02915 00008	44 - 2	48
02138 10055	43 - 3	5	02201 10020	20 - 2	83	02915 00010	43 - 3	6
02138 10060	43 - 3	5-1	02201 10020	38 - 2	7	02915 00010	43 - 3	6
02138 10110	38 - 2	72	02201 10020	44 - 2	32	02915 00012	20 - 2	21
02138 10140	38 - 2	72	02201 10020	44 - 2	37	02915 00012	20 - 2	22
02138 12020	20 - 2	84	02201 10020	44 - 2	37	02915 01008	38 - 2	102
02138 12025	20 - 2	84	02201 10030	43 - 3	44	02915 20010	43 - 3	5-1
02138 12025	44 - 2	36	02238 10025	20 - 2	11	02915 20010	43 - 3	5
02138 12025	44 - 2	36-1	02246 08016	44 - 3	128-1	03115 02005	44 - 2	13
02138 16025	44 - 2	36	02246 08016	51 - 2	27	03115 02005	44 - 2	40
02138 20055	51 - 2	5	02246 08050	51 - 3	90	03115 02006	20 - 2	4
02162 16060	51 - 5	1-1	02248 06012	51 - 2	40-1	03115 02006	20 - 2	9
02201 06016	38 - 2	25	02248 06016	38 - 2	28	03115 02006	20 - 2	14
02201 06016	38 - 2	25	02248 06016	44 - 2	15	03115 02006	43 - 3	28
02201 06016	38 - 2	28-1	02248 06016	44 - 2	15	03115 02006	51 - 2	65
02201 06016	38 - 2	65	02248 06020	20 - 2	3	03115 02008	20 - 2	9
02201 06016	43 - 3	31	02248 10030	20 - 2	1	03115 02010	20 - 2	1
02201 06016	43 - 3	31	02248 10035	20 - 2	1	03115 02010	20 - 2	13
02201 06016	44 - 2	46	02283 10040	43 - 3	44-1	03115 02010	20 - 2	26
02201 06016	44 - 2	56	02283 10070	43 - 3	44-1	03115 02010	38 - 2	72
02201 06016	44 - 3	132	02345 23008	44 - 3	123	03115 02012	20 - 2	84
02201 06016	44 - 3	132	02345 24020	44 - 2	39	03115 02012	44 - 2	36
02201 06016	44 - 3	132-1	02345 24020	44 - 3	126	03115 02012	44 - 2	36-1
02201 06016	51 - 2	65	02345 65012	43 - 3	11	03115 02014	44 - 3	116
02201 06016	51 - 3	87	02345 65016	44 - 2	40	03115 02016	20 - 2	21
02201 06016	51 - 3	87	02345 65020	44 - 2	13	03115 02016	44 - 2	36
02201 06016	51 - 5	36	02401 26016	44 - 3	113	03115 02016	51 - 5	1-1
02201 06016	51 - 5	36	02401 26020	44 - 3	120	03115 02016	51 - 5	1-1
02201 08012	38 - 2	1	02401 36025	44 - 3	81	03115 03003	44 - 3	123
02201 08012	38 - 2	1	02401 45016	51 - 2	8	03115 03004	44 - 2	39
02201 08012	44 - 2	46	02473 16040	51 - 5	1-1	03115 03004	44 - 3	126
02201 08020	20 - 2	67	02911 03010	38 - 2	102	03115 06010	38 - 2	109
02201 08020	20 - 2	67-1	02912 03014	44 - 3	116	03115 06020	51 - 2	5
02201 08020	20 - 2	83	02912 04010	38 - 2	109	03115 40010	20 - 2	1
02201 08020	38 - 2	8	02912 04020	51 - 2	5	03115 40010	43 - 3	44-1
02201 08020	38 - 2	73-1	02912 08006	20 - 2	4	03116 12005	44 - 2	13
02201 08020	38 - 2	107						

# I N D E X

PART NO.	PAGE	REF. NO.	PART NO.	PAGE	REF. NO.	PART NO.	PAGE	REF. NO.
03116 12005	44 - 2	40	03407 64780	44 - 3	102	03407 68144	51 - 5	32
03116 12006	20 - 2	4	03407 66003	44 - 3	138	03413 30070	51 - 3	98
03116 12006	20 - 2	9	03407 66701	44 - 3	107	03424 80036	43 - 3	45
03116 12006	43 - 3	28	03407 66703	44 - 3	112	03424 82006	44 - 3	137
03116 12006	51 - 2	65	03407 66710	44 - 3	107	03425 00001	38 - 2	27
03116 12008	20 - 2	9	03407 66710	44 - 3	133	03425 00001	44 - 2	53
03116 12008	44 - 3	128-1	03407 66712	44 - 3	112	03425 00001	44 - 2	53-1
03116 12010	20 - 2	26	03407 66713	44 - 3	111	03511 10018	43 - 3	41
03116 12010	38 - 2	72	03407 66714	44 - 3	105	03511 10018	43 - 3	41
03116 12010	43 - 3	5-1	03407 66714	44 - 3	111	03511 20035	38 - 2	68
03116 12010	43 - 3	5	03407 66801	51 - 2	70	03511 20035	43 - 3	10
03116 12012	20 - 2	84	03407 66802	51 - 2	75	03511 20040	20 - 2	74
03116 12012	44 - 2	36	03407 66802	51 - 3	101	03511 20060	43 - 3	16
03116 12012	44 - 2	36-1	03407 66803	51 - 2	44	03511 20070	20 - 2	79
03116 12016	20 - 2	21	03407 66816	51 - 2	44	03511 20070	38 - 2	4
03116 12016	44 - 2	36	03407 66816	51 - 2	70	03511 20070	38 - 2	5
03116 12016	51 - 5	1-1	03407 66816	51 - 3	100	03511 20080	20 - 2	79
03116 14014	44 - 3	116	03407 66819	51 - 2	75	03511 20080	20 - 2	87
03116 15010	38 - 2	109	03407 66828	51 - 3	85	03511 20080	38 - 2	5
03116 15020	51 - 2	5	03407 66831	51 - 2	48	03511 20090	20 - 2	72
03116 18003	44 - 3	123	03407 66838	51 - 2	39	03511 20090	20 - 2	86
03116 18004	44 - 2	39	03407 66841	51 - 2	29	03511 20100	20 - 2	72
03260 03010	39 - 2	2	03407 66842	51 - 3	81	03511 20100	20 - 2	86
03260 03010	44 - 2	19	03407 66842	51 - 5	35	03511 20120	20 - 2	70
03316 03016	44 - 3	117	03407 66849	44 - 3	139	03511 20120	20 - 2	71
03402 25024	38 - 2	78	03407 66850	51 - 2	29	03511 20120	20 - 2	90
03403 00252	44 - 3	108	03407 66852	51 - 2	39	03511 20140	20 - 2	70
03403 00303	38 - 2	11	03407 66854	51 - 2	30	03511 30245	38 - 2	20
03403 00303	38 - 2	30	03407 66854	51 - 2	30	03511 40016	38 - 2	23
03403 00303	44 - 3	134	03407 66854	51 - 3	96	03570 09018	43 - 3	21-1
03403 00512	38 - 2	12	03407 66854	51 - 3	97	03570 09022	43 - 3	21
03403 10010	44 - 3	129	03407 66862	51 - 3	85	03570 09025	43 - 3	35
03403 10010	51 - 2	9	03407 66864	51 - 2	43	03570 09028	43 - 3	29
03403 10010	51 - 3	95	03407 66864	51 - 2	54-1	03570 09029	43 - 3	20-1
03403 10010	51 - 3	95	03407 66865	51 - 5	35	03570 09029	43 - 3	29-1
03403 10017	51 - 2	7	03407 66871	44 - 3	140	03570 09030	43 - 3	36-1
03407 14014	44 - 2	59	03407 67024	51 - 3	96	03570 09030	43 - 3	37-1
03407 16024	38 - 2	63	03407 67031	44 - 3	106	03570 09033	43 - 3	29
03407 20106	44 - 2	56	03407 67212	51 - 3	92	03570 09037	43 - 3	37
03407 64719	44 - 3	102	03407 67213	51 - 2	66	03570 09040	43 - 3	36
03407 64722	51 - 3	91	03407 67224	51 - 3	93	03570 09040	43 - 3	36
03407 64727	51 - 2	62	03407 67313	38 - 2	9	03570 09045	43 - 3	20
03407 64735	51 - 2	45	03407 67321	51 - 3	94	03570 09055	43 - 3	39-1
03407 64735	51 - 2	62	03407 67533	38 - 2	10	03570 09060	43 - 3	40
03407 64743	51 - 2	57	03407 67605	51 - 2	55	03570 09070	43 - 3	39
03407 64743	51 - 2	71	03407 68045	51 - 3	80	03570 09080	43 - 3	34
03407 64745	51 - 2	61	03407 68050	51 - 3	80	03570 09110	43 - 3	34-1
03407 64768	51 - 2	61	03407 68104	51 - 5	33	03570 09120	43 - 3	34
03407 64769	51 - 2	57	03407 68118	51 - 2	54	03570 09120	43 - 3	38
03407 64769	51 - 2	71	03407 68118	51 - 2	54	03570 09120	43 - 3	39

# I N D E X

PART NO.	PAGE	REF. NO.	PART NO.	PAGE	REF. NO.	PART NO.	PAGE	REF. NO.
03570 09120	43 - 3	40	25200 11400	20 - 2	8	32331 60500	20 - 2	68
03570 09170	43 - 3	38	25310 09100	20 - 2	11	32331 70700	20 - 2	76
03570 19042	43 - 3	9-1	25310 09800	20 - 2	11	32331 70900	20 - 2	85
03570 19044	43 - 3	9-1	25330 00700	20 - 2	13	32331 72101	20 - 2	68
03570 19050	43 - 3	9	25360 06100	20 - 2	12	32331 72200	20 - 2	69
03570 19052	43 - 3	9	25360 07400	20 - 2	12	32331 72300	20 - 2	76
03570 38095	43 - 3	15	25641 01200	20 - 2	4	32331 72400	20 - 2	81
03580 19050	38 - 2	67	25641 01600	20 - 2	4	32331 72501	20 - 2	85
03580 19052	38 - 2	67	25650 00400	20 - 2	3	32331 72600	20 - 2	69
03591 25110	20 - 2	73	25650 01600	20 - 2	3	32331 72700	20 - 2	81
03591 25120	20 - 2	73	25700 06600	20 - 2	9	32331 73800	20 - 2	68-1
03620 41003	38 - 2	29	25700 07900	20 - 2	9	32331 73900	20 - 2	88
03620 41003	51 - 5	8	25700 08000	20 - 2	9	32332 08101	20 - 2	80
03620 41006	38 - 2	71	31110 01610	20 - 2	25	35208 04500	44 - 3	116
03620 41006	43 - 3	14	31110 01810	20 - 2	27	35483 10101	43 - 3	30
03620 41012	51 - 5	7	31110 02211	20 - 2	27	36120 14101	44 - 3	100
03731 21006	38 - 2	79	31110 99601	20 - 2	24	36143 03600	44 - 2	23
03731 60006	51 - 5	6	31110 99900	20 - 2	25	36143 03800	44 - 2	23
03732 00201	44 - 2	57	31120 08900	20 - 2	23	36145 06500	44 - 2	24
03734 44003	43 - 3	33	31130 09100	20 - 2	21	36145 06700	44 - 2	24
03734 44003	43 - 3	33	31130 09100	20 - 2	22	36146 05901	44 - 2	21
03734 84060	38 - 2	76	31130 09200	20 - 2	21	36146 06200	44 - 2	21
03734 84060	38 - 2	77	31130 09600	20 - 2	21	36158 00500	44 - 2	22
03735 13006	38 - 2	69	31130 09600	20 - 2	22	36158 00601	44 - 2	22
03735 13006	43 - 3	13	31131 04100	44 - 3	103	36159 00600	43 - 3	11
03830 08025	38 - 2	108	31131 04100	44 - 3	103-1	37160 71300	38 - 2	74
03830 08026	38 - 2	108	31131 04100	51 - 2	59	37160 79800	38 - 2	74
05068 22050	44 - 2	33	32100 42000	20 - 2	61	37160 79900	38 - 2	75
05108 28035	44 - 2	32	32100 43900	20 - 2	61	37160 90200	38 - 2	75
05138 22050	44 - 2	33	32142 10700	20 - 2	63	37170 12700	43 - 3	42
06540 15065	44 - 2	29-1	32142 11200	20 - 2	63	37170 12700	43 - 3	42
06540 15100	44 - 2	29	32143 12500	20 - 2	62	37170 14200	38 - 2	70
07605 29075	44 - 2	29	32143 16200	20 - 2	62	37170 14200	43 - 3	12
07605 34040	44 - 2	31	32147 03100	20 - 2	65	37170 14200	43 - 3	47
07805 29075	44 - 2	29-1	32147 03400	20 - 2	65	37170 20200	43 - 3	32
07805 29120	44 - 2	29	32148 03000	20 - 2	66	37170 20200	43 - 3	32
07805 34040	44 - 2	31-1	32151 01600	20 - 2	64	37170 21700	43 - 3	47-1
07808 48060	44 - 2	32	32240 37000	20 - 2	67	37181 03300	51 - 3	102
07808 51035	44 - 2	32-1	32240 38400	20 - 2	67	37181 07000	43 - 3	19
20003 59200	20 - 2	1	32240 39600	20 - 2	67-1	37189 32400	44 - 2	58
20003 61400	20 - 2	1	32270 04400	20 - 2	78	38100 41100	38 - 2	1
20003 61500	20 - 2	1	32270 04500	20 - 2	83	38100 42900	38 - 2	1
21468 15700	20 - 2	14	32270 04602	20 - 2	83	38410 05800	38 - 2	1
21472 00100	20 - 2	7	32320 66800	20 - 2	77	38440 01311	38 - 2	13
21472 09700	20 - 2	7	32320 66900	20 - 2	82	38440 01411	38 - 2	14
25100 08000	20 - 2	2	32320 67300	20 - 2	75	38440 99000	38 - 2	13
25100 09400	20 - 2	2	32320 67400	20 - 2	77	38440 99100	38 - 2	14
25100 09500	20 - 2	2	32320 67500	20 - 2	82	38450 76000	38 - 2	16
25200 10600	20 - 2	8	32320 67600	20 - 2	75	38450 76700	38 - 2	17
25200 11300	20 - 2	8	32320 68100	20 - 2	89	38450 78300	38 - 2	18

# I N D E X

PART NO.	PAGE	REF. NO.	PART NO.	PAGE	REF. NO.	PART NO.	PAGE	REF. NO.
38450 78801	38 - 2	16	39178 21220	39 - 2	41	39200 04302	51 - 2	51
38450 78901	38 - 2	17	39178 21220	39 - 2	41-1	41250 04900	38 - 2	73
38450 79101	38 - 2	18	39178 21830	39 - 2	3	41250 05100	38 - 2	73
38465 16000	43 - 3	3	39178 21830	39 - 2	3-1	41250 05100	38 - 2	73-1
38465 16000	43 - 3	3	39178 21930	39 - 2	3	41290 00800	38 - 2	72
38465 16500	51 - 5	3	39178 21930	39 - 2	3-1	41291 00500	38 - 2	72
38469 01400	38 - 2	1	39178 22530	44 - 3	96	42100 78200	38 - 2	101
38524 66400	38 - 2	2	39178 22530	44 - 3	96-1	42240 24700	38 - 2	106
38524 66501	38 - 2	3	39178 23420	39 - 2	42	42240 28300	38 - 2	106
38524 67400	38 - 2	2	39178 23420	39 - 2	42-1	42310 89900	38 - 2	102
38524 67500	38 - 2	3	39178 28420	39 - 2	40	42310 90000	38 - 2	105
38590 00300	38 - 2	19	39178 28420	39 - 2	40-1	42310 92100	38 - 2	102
38594 02300	38 - 2	6	39178 28420	39 - 2	41	42310 92200	38 - 2	105
38594 02400	38 - 2	22	39178 28420	39 - 2	41-1	42323 04500	38 - 2	104
38860 28600	38 - 2	21	39178 38220	44 - 3	98	42324 14100	38 - 2	103
38860 28901	38 - 2	21	39178 43110	39 - 2	9	42324 14300	38 - 2	103
38920 02700	38 - 2	7	39178 47610	39 - 2	10	43100 66301	43 - 3	1
39103 46801	39 - 2	2	39178 49120	39 - 2	38	43100 66501	43 - 3	2
39148 05300	20 - 2	63	39178 50620	39 - 2	19	43100 68801	43 - 3	1
39152 23401	39 - 2	17	39178 50820	44 - 3	95	43210 01301	43 - 3	8
39153 64400	44 - 3	97	39178 53620	39 - 2	8	43210 01301	43 - 3	8
39153 64900	44 - 3	97	39178 53620	39 - 2	8-1	43220 01300	43 - 3	7
39153 64900	44 - 3	97-1	39178 53720	39 - 2	5	43220 01300	43 - 3	7
39170 02000	39 - 2	1	39178 53720	39 - 2	5-1	43310 27000	43 - 3	4
39170 02000	39 - 2	1-1	39178 54721	39 - 2	6	43310 27000	43 - 3	4
39170 02000	39 - 2	1-2	39178 54721	39 - 2	6-2	43310 27100	43 - 3	5
39173 02000	39 - 2	13	39178 54820	39 - 2	7	43310 27100	43 - 3	5
39173 03300	39 - 2	29	39178 54820	39 - 2	7-1	43310 29000	43 - 3	4-1
39176 35600	39 - 2	21	39178 62420	39 - 2	4	43310 29100	43 - 3	5-1
39176 35600	39 - 2	21	39178 62420	39 - 2	4-1	43322 06700	43 - 3	43
39176 50000	39 - 2	28	39178 62620	39 - 2	4	43322 06700	43 - 3	43
39176 50000	39 - 2	28	39178 62620	39 - 2	4-1	43340 30401	43 - 3	22
39176 62400	39 - 2	12	39178 72500	39 - 2	37	43340 31600	43 - 3	22
39176 62900	39 - 2	16	39178 76520	39 - 2	4	43350 02000	44 - 2	56
39176 69300	39 - 2	27	39178 76520	39 - 2	4-1	43440 04600	43 - 3	48
39176 69500	39 - 2	25	39178 78120	39 - 2	40	43525 02600	43 - 3	17
39176 69600	39 - 2	26	39178 78120	39 - 2	40-1	43531 01900	43 - 3	27
39176 73300	39 - 2	22	39178 78120	39 - 2	41	43532 05500	38 - 2	64
39176 73500	39 - 2	23	39178 78120	39 - 2	41-1	43532 09000	43 - 3	25
39176 73800	39 - 2	24	39178 78920	39 - 2	6-1	43534 02102	38 - 2	62
39176 85800	39 - 2	14	39178 80820	39 - 2	39	43534 04800	43 - 3	26
39176 85900	39 - 2	15	39178 80820	39 - 2	39-1	43540 07600	43 - 3	23
39176 88300	39 - 2	11-1	39178 87210	39 - 2	18	43540 07700	43 - 3	24
39176 89700	39 - 2	11	39178 90520	39 - 2	33	43543 00900	43 - 3	23
39178 00310	39 - 2	20	39178 90620	39 - 2	34	43543 01000	43 - 3	24
39178 13530	39 - 2	3	39178 90720	39 - 2	35	43570 07900	43 - 3	18
39178 13530	39 - 2	3-1	39189 21100	39 - 2	36	43650 02500	43 - 3	28
39178 13730	44 - 3	96	39189 21300	39 - 2	30	43650 02600	43 - 3	28
39178 21120	39 - 2	40	39189 21400	39 - 2	31	44210 02300	44 - 2	1
39178 21120	39 - 2	40-1	39189 21500	39 - 2	32	44210 06700	44 - 2	1

# I N D E X

PART NO.	PAGE	REF. NO.	PART NO.	PAGE	REF. NO.	PART NO.	PAGE	REF. NO.			
44220	04300	44 - 2	2	44462	02500	44 - 2	31	46760	46210	44 - 2	40
44220	16600	44 - 2	2	44462	05500	44 - 2	29	46813	08000	44 - 2	47
44243	03100	44 - 2	3-1	44462	05500	44 - 2	29-1	46870	47401	44 - 2	20
44243	03100	44 - 2	3	44462	05500	44 - 2	31-1	46870	47901	44 - 2	20
44243	04701	44 - 2	3	44462	05600	44 - 2	31-1	46872	01300	44 - 2	44
44243	05500	38 - 2	26	44462	05600	44 - 2	32	46879	45800	44 - 2	45
44243	05500	43 - 3	46	44462	05600	44 - 2	32-1	46900	85401	44 - 3	81
44243	05500	44 - 2	52	44470	01600	44 - 2	16	46900	91100	44 - 3	81
44250	26311	44 - 2	14	44470	01600	44 - 2	54	46900	91200	44 - 3	81
44250	26410	44 - 2	6	44470	01700	44 - 2	54	46911	01200	44 - 3	84
44260	34800	44 - 3	109	44470	01900	44 - 2	17	46913	01400	44 - 3	85
44260	34900	44 - 3	110	44470	02300	44 - 2	49	46917	03100	44 - 3	87
44260	36300	44 - 3	110	44490	55631	44 - 2	46	46917	03200	44 - 3	87
44260	36400	44 - 3	109	44490	60630	44 - 2	46	46918	01400	44 - 3	93
44290	41200	44 - 2	34	44500	02700	44 - 2	51	46921	02500	44 - 3	91
44290	41901	44 - 2	35	44550	22400	44 - 3	127	46921	08600	44 - 2	40
44290	42201	44 - 2	55	45214	01400	44 - 3	81	46921	08900	20 - 2	6
44290	42300	44 - 2	48	45214	01400	44 - 3	119	46921	09000	20 - 2	5
44290	43100	44 - 2	50	46120	26800	44 - 3	122	46923	04100	44 - 3	88
44290	43401	44 - 3	136	46120	26900	44 - 3	121	46923	04600	44 - 3	88
44311	07600	44 - 3	94	46120	30900	44 - 3	86	46928	01500	44 - 3	91
44311	56101	44 - 3	114	46120	31200	44 - 3	86	46929	00600	44 - 3	89
44311	58900	44 - 3	94	46120	31300	44 - 3	86	46929	01200	44 - 3	89
44311	65600	44 - 2	39	46153	03100	44 - 3	82	46934	03200	44 - 2	16
44312	02800	44 - 3	124	46154	12500	44 - 3	83	46934	03200	44 - 2	54
44312	02900	44 - 3	125	46154	13700	44 - 3	83	46934	03300	44 - 2	54
44322	02800	44 - 2	18	46154	15300	44 - 2	25	46934	04400	44 - 2	17
44324	05800	44 - 2	7	46154	15500	44 - 2	25	46939	00900	44 - 3	89
44324	05800	44 - 2	8	46167	02400	44 - 3	90	46939	01300	44 - 3	89
44324	08500	44 - 2	7	46177	08300	44 - 2	41	46948	00900	44 - 2	44
44324	08500	44 - 2	8	46177	08400	44 - 2	42	46950	02600	44 - 3	92
44328	21500	44 - 2	12	46177	08500	44 - 2	43	46991	01100	44 - 3	93
44335	01100	44 - 2	4	46177	08600	44 - 2	41	51100	02040	51 - 2	1
44336	03001	44 - 2	38	46177	08700	44 - 2	42	51100	02941	51 - 5	1
44346	07500	44 - 2	11	46305	09100	44 - 3	115	51100	07941	51 - 2	1
44346	08500	44 - 2	11	46311	02400	44 - 3	94	51100	08042	51 - 5	1
44346	13200	44 - 2	4	46312	05100	44 - 3	116	51100	12341	51 - 2	1-1
44346	15500	44 - 2	9	46450	88702	44 - 3	101	51100	19840	51 - 2	1-1
44346	15600	44 - 2	10	46450	90100	44 - 3	130	51100	20040	51 - 2	1-1
44346	15700	44 - 2	9	46450	91801	44 - 3	101	51100	20540	51 - 5	1-1
44346	15900	44 - 2	10	46450	92201	44 - 3	130	51100	20640	51 - 5	1-1
44364	00100	44 - 2	27	46470	81701	44 - 3	104	51100	21840	51 - 2	1-2
44364	06600	44 - 2	13	46470	85902	44 - 3	104	51100	21940	51 - 2	1-2
44365	00300	44 - 2	26	46470	87700	44 - 3	104-1	51100	22040	51 - 2	1-2
44390	02300	44 - 2	5	46480	46801	44 - 3	113	51500	38700	51 - 2	2
44390	02400	44 - 2	5	46480	47001	44 - 3	131	51500	38801	51 - 2	3
44462	00501	44 - 2	31	46480	49100	44 - 3	113	51500	38901	51 - 2	4
44462	00501	44 - 2	32	46480	49201	44 - 3	131	51500	39202	51 - 2	2
44462	00700	44 - 2	30	46480	50200	44 - 3	135	51500	39302	51 - 2	3
44462	02500	44 - 2	29	46760	43810	44 - 2	40	51500	39402	51 - 2	4

# I N D E X

PART NO.	PAGE	REF. NO.	PART NO.	PAGE	REF. NO.	PART NO.	PAGE	REF. NO.
51500 40100	51 - 2	2-1	52350 52420	38 - 2	31	52660 04700	44 - 2	19
51500 40200	51 - 2	3-1	52350 66010	38 - 2	15	52710 03601	51 - 2	63
51500 40300	51 - 2	4-1	52350 89010	51 - 2	27	52723 00100	44 - 3	99
51500 41200	51 - 2	2-1	52370 60400	51 - 2	38	52726 00500	51 - 3	98
52100 53921	51 - 2	36	52370 60501	51 - 2	79	52728 05210	20 - 2	10
52100 54021	51 - 2	35	52370 60601	51 - 2	74	52728 06810	51 - 2	33
52100 54120	51 - 2	21	52370 61401	51 - 2	78	52728 06910	51 - 3	89
52100 54220	51 - 2	22	52370 62801	51 - 2	53	52728 14810	51 - 3	99
52100 54320	51 - 2	42	52370 62901	51 - 2	46	52728 19810	51 - 5	2
52100 63421	51 - 2	21	52370 63001	51 - 2	52	52728 19910	38 - 2	66
52100 63520	51 - 2	22	52370 63200	51 - 2	38	52728 20010	51 - 2	6
52100 63621	51 - 2	35	52370 63301	51 - 2	78	52728 20110	51 - 5	4
52100 63721	51 - 2	36	52370 63401	51 - 2	46	52728 20210	51 - 2	37
52100 63820	51 - 2	42	52370 63501	51 - 2	79	52728 21210	51 - 5	5
52160 32401	51 - 2	64	52370 63601	51 - 2	52	52728 22510	51 - 5	2
52160 32600	38 - 2	65	52370 63701	51 - 2	74	52728 22610	51 - 5	5
52160 34102	51 - 5	31	52370 63801	51 - 2	53	52728 22710	20 - 2	10
52160 34200	51 - 5	34	52400 83610	44 - 3	128	52728 22810	20 - 2	10
52160 36901	51 - 3	83	52400 89911	44 - 3	128	52728 23810	51 - 2	37-1
52160 37001	51 - 2	34	52400 94810	44 - 3	128-1	52739 00600	44 - 2	18
52160 37501	51 - 2	34	52416 24400	51 - 2	50	52739 03700	51 - 2	63
52160 37601	51 - 3	83	52416 26900	44 - 3	119	52744 01100	44 - 2	56
52160 37702	51 - 5	31	52416 27202	44 - 3	119	52744 01200	38 - 2	101
52160 37801	51 - 5	34	52450 00630	51 - 2	56	52744 01200	38 - 2	101
52160 37902	51 - 2	64	52450 00730	51 - 2	67	52744 01700	51 - 5	1-1
52160 40000	51 - 2	64-1	52450 00830	51 - 2	60	52746 02100	51 - 2	25
52160 47700	51 - 5	31-1	52450 00930	51 - 2	72	52830 38400	51 - 2	23
52160 47800	51 - 5	31-1	52450 89120	51 - 2	72	52830 38500	51 - 2	24
52230 43300	51 - 2	47	52450 89221	51 - 2	49	52830 40000	51 - 2	23
52230 43600	51 - 2	47	52450 89320	51 - 2	67	52830 40100	51 - 2	24
52300 00920	51 - 2	26	52450 89420	51 - 2	60	52870 12600	51 - 3	98
52300 01021	51 - 2	28	52450 89520	51 - 2	56	52900 77511	52 - 1	19
52300 01121	51 - 2	40	52480 12500	51 - 2	68	52900 86610	52 - 1	19
52300 02720	51 - 2	26	52480 12600	51 - 2	73	52919 00930	52 - 1	9-1
52300 03320	51 - 2	28-1	52480 13300	44 - 3	120	52919 01030	52 - 1	10-1
52300 03420	51 - 2	40-1	52540 56800	51 - 3	84	52919 01130	52 - 1	11-1
52300 03520	51 - 2	41-1	52540 58700	51 - 3	84-1	52919 01330	52 - 1	9
52300 07420	51 - 2	40-1	52550 15011	51 - 2	31	52919 01430	52 - 1	10
52300 95810	51 - 2	28	52550 15111	51 - 2	32	52919 01530	52 - 1	11
52300 95910	51 - 2	26	52550 15211	51 - 3	82	52919 27710	52 - 1	11
52300 96110	51 - 2	40	52550 15311	51 - 2	58	52919 90900	52 - 1	9
52300 97210	51 - 2	41	52550 15912	51 - 2	31	52926 24300	52 - 1	10
52350 28320	38 - 2	24	52550 16012	51 - 2	32	52931 73820	52 - 1	1
52350 28621	38 - 2	8	52550 16112	51 - 2	58	52959 00250	52 - 1	2
52350 34320	51 - 2	65	52550 16212	51 - 3	82	52959 39250	52 - 1	2
52350 35522	38 - 2	8	52640 05100	51 - 3	88	52959 39350	52 - 1	4
52350 35621	38 - 2	15	52640 05200	44 - 3	119	52959 39450	52 - 1	5
52350 35720	38 - 2	24	52640 05600	51 - 3	86	52959 39550	52 - 1	6
52350 41920	51 - 2	8	52640 05600	51 - 3	86	52959 39650	52 - 1	7
52350 42620	51 - 2	65	52652 00400	51 - 2	40-1	52959 41250	52 - 1	19

# I N D E X

PART NO.	PAGE	REF. NO.	PART NO.	PAGE	REF. NO.	PART NO.	PAGE	REF. NO.
52959	42150	52 - 1			4			
52959	42250	52 - 1			5			
52959	42350	52 - 1			6			
52959	42450	52 - 1			7			
52959	66920	52 - 1			19			
52988	32700	52 - 1			8			
52988	32700	52 - 1			13			
52988	45000	52 - 1			13			
52988	45100	52 - 1			15			
52988	45200	52 - 1			16			
52988	45300	52 - 1			17			
52988	46700	52 - 1			14			
52988	46700	52 - 1			18			
52988	46800	52 - 1			15			
52988	46800	52 - 1			17			
52988	46900	52 - 1			16			
52988	47000	52 - 1			12			
52989	30500	52 - 1			1			
52989	30600	52 - 1			12			
52989	30700	52 - 1			3			
52989	32100	52 - 1			8			
52989	32200	52 - 1			14			
52989	32600	52 - 1			18			
52989	32700	52 - 1			3			
GD920	18300	38 - 2			76			
GH245	00600	44 - 3			128-1			

**HOKUETSU INDUSTRIES CO., LTD.**

8TH FLOOR SHINJUKU SAN-EI BLDG,  
22-2 NISHI-SHINJUKU 1-CHOME, SHINJUKU-KU  
TOKYO 160-0023 JAPAN  
TEL:81-3-3348-7281  
FAX:81-3-3348-7289  
URL:<http://www.airman.co.jp>

Copyright(C)2008 HOKUETSU INDUSTRIES CO., LTD. All Rights Reserved

0906-06  
CAT. NO. 39546 68000





**AIRMAN**  
HOKUETSU INDUSTRIES CO., LTD.